

Lawn Solutions Service Parts

Stand On Aerators

Model TA28 & TA30

Serial Numbers

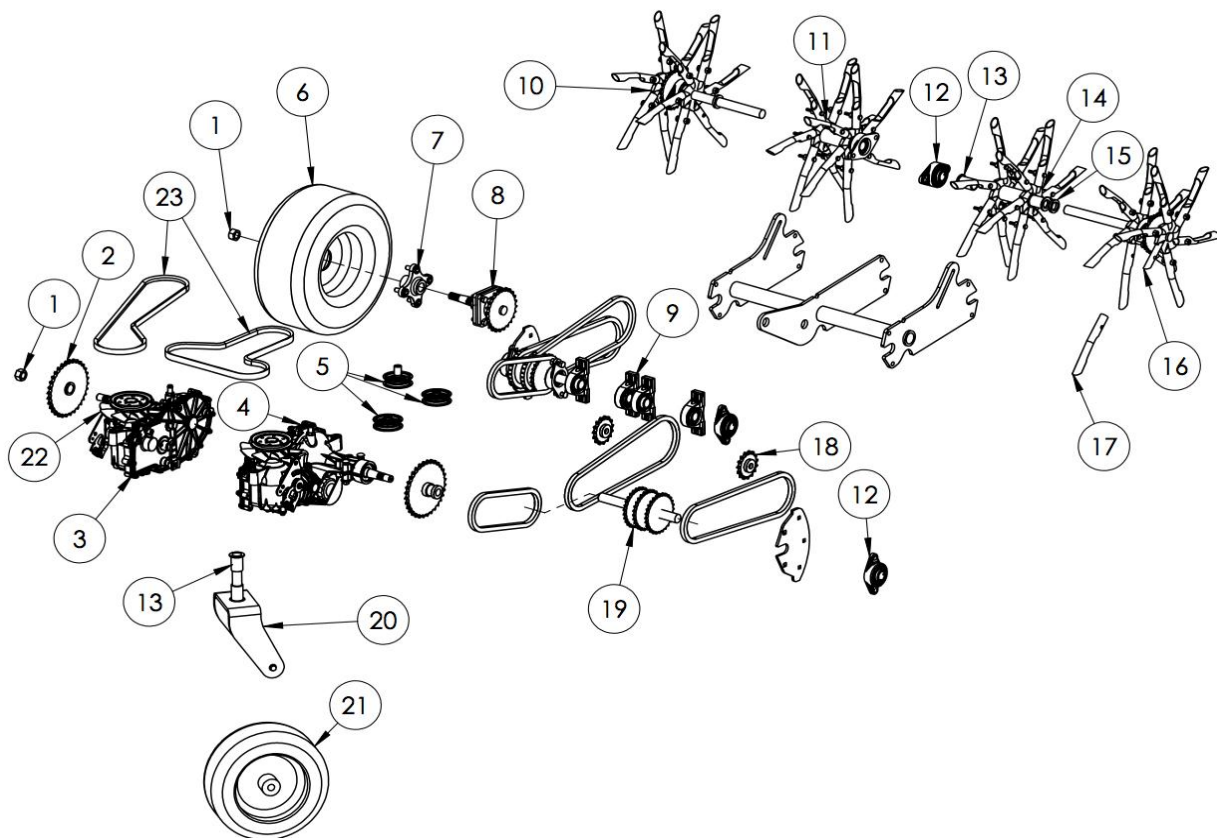
LS00001 – LS01999

LS02000 – LS02999

TA30 Drive Setup

NOTE Sprocket Location on Tine ASM

*See Page 3 If Sprocket Location is Not Between Tine Rows

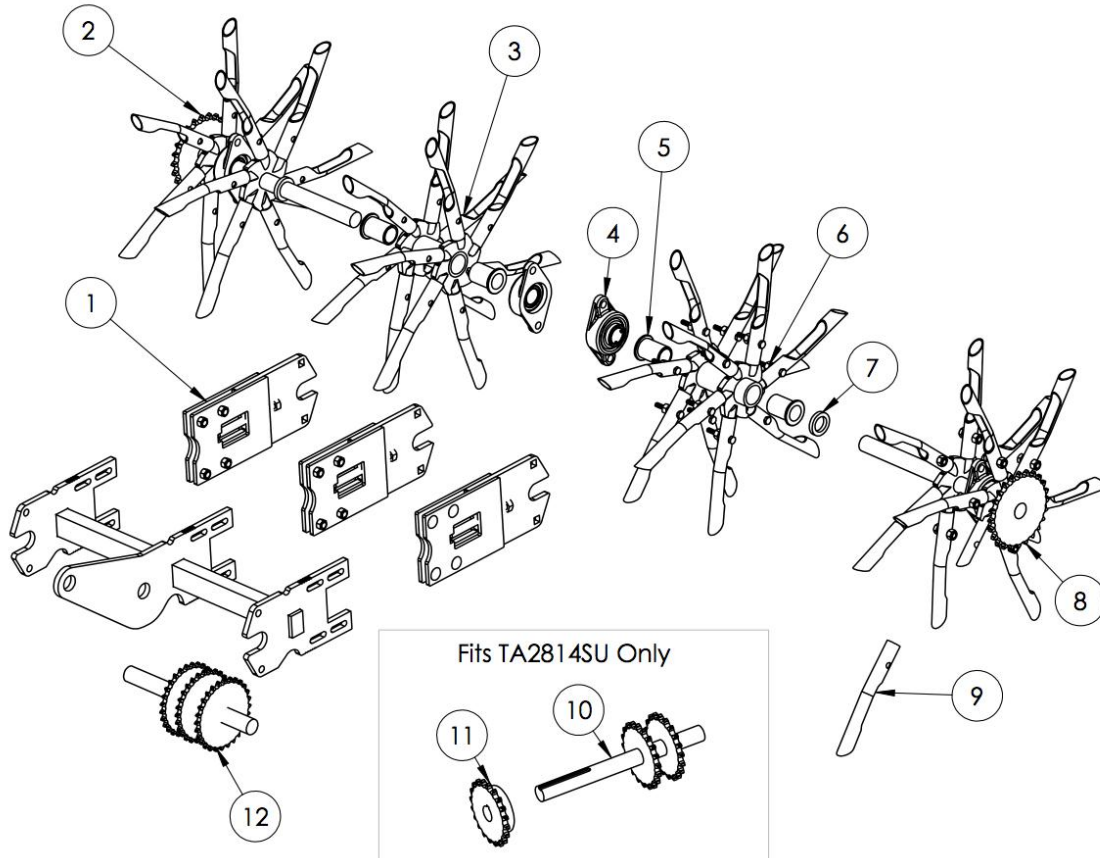


Ref	Part Num	Description
1	116-2839	Nut-Lock
2	LS0597	Trans Hub Sprocket
3	116-6614	RH Trans ASM
4	116-6615	LH Trans ASM
5	116-6760	Pulley Idler Flat
6	116-6932	Tire ASM 16x6.5-8
7	116-3872	Hub Offset
8	116-7645	Axle and Bearing ASM
9	116-6756	Bearing Pillow Block
10	LS0576	RH Drive Tine ASM
11	LS0579	RH Floating Tine ASM
12	LS0571	Bearing-Flange

Ref	Part Num	Description
13	94-8949	Bushing-Flange
14	LS0577	LH Floating Tine ASM
15	116-7271	Collar-Locking
16	LS0578	LH Drive Tine ASM
17	121-4894	Tine-Coring
18	116-6719	Idler Sprocket 17T
19	LS0570	Triple Sprocket Shaft
20	LS0502	Front Fork
21	LS0581	Front Wheel-Tire
22	116-6743	Fan & Pulley Kit
23	LS0507	Belt AX-37

TA28 Drive Setup

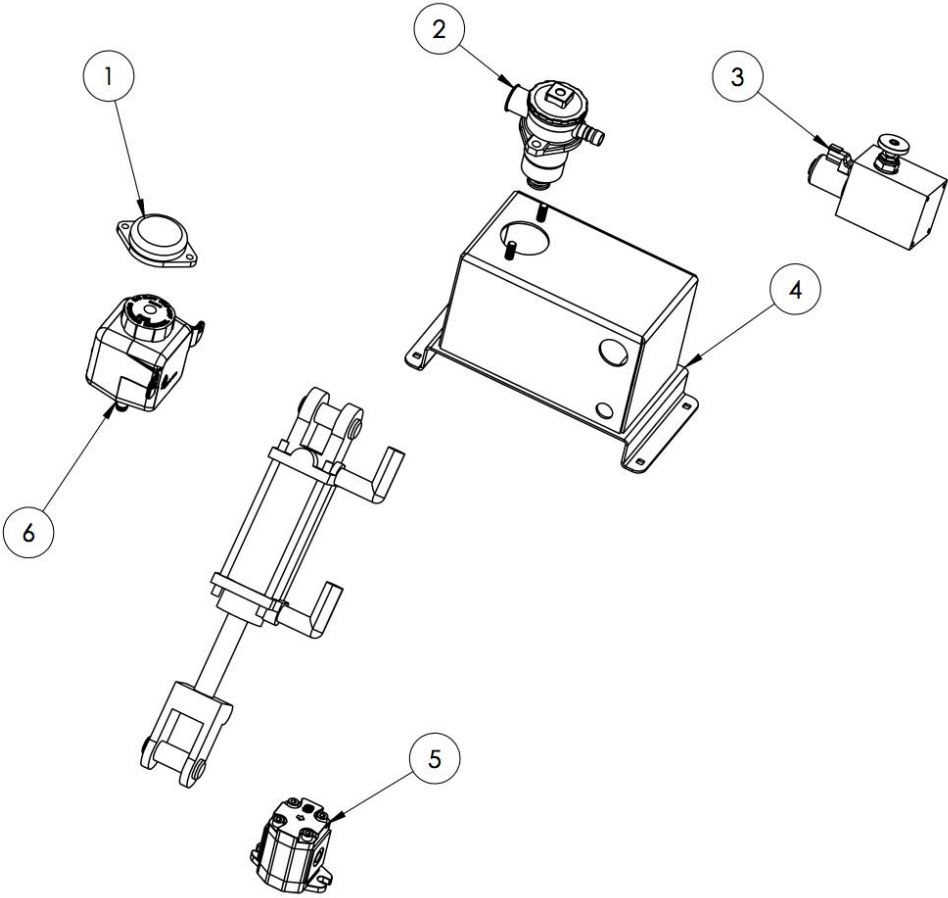
*Some TA28's Have TA30 Setup (Look at location of the Sprocket on the Tine ASM)



Ref	Part Num	Description
1	LS0574	Trail ARM EXT
2	LS0576a	RH 28" Drive Tine ASM
3	LS0579	RH Floating Tine ASM
4	LS0571	Flange Bearing
5	94-8949	Bushing-Flange
6	LS0577	LH Floating Tine ASM

Ref	Part Num	Description
7	116-7271	Collar-Locking
8	LS0578a	LH 28" Drive Tine ASM
9	121-4894	Tine-Coring
10	LS0570a	Double Sprocket Shaft
11	LS0608	50B20 Sprocket
12	LS0570b	Triple Sprocket Shaft

Hydraulics and Switch



Ref	Part Num	Description
1	92-6282	Switch-Seat
2	LS0534	Return Filter ASM
3	116-6752	Valve

Ref	Part Num	Description
4	LS0532	Hydro Tank
5	116-6751	Pump-Gear
6	109-2250	Vent Tank, Hydro